

BLOCK & BLEED VALVE

MODEL CODE : KGV8

KGV8 type gauge valve is a block and bleed needle pattern gauge valve with specially designed integral bleed of M8. Ideal for use on applications requiring bleeding or venting of media. Self centering needle non-rotating, on the valve seat. The conical metal tip (stem type CT) press fitted ensures perfect alignment for positive bubble tight shut-off. Standard end connections are male inlet and female outlet or female inlet and female outlet from 1/4" to 3/4".

Technical Specifications

Design Pressure	: 6000 PSI
Max temp.	: 240°C
Material	: Stainless Steel
Stem	: (CT) Conical tip press fitted hard chrome plated.
Gland Packing	: PTFE
Stem packing area	: Burnished finish for smooth valve operation.
Safety Feature	: Back seating for Preventing stem blowout.

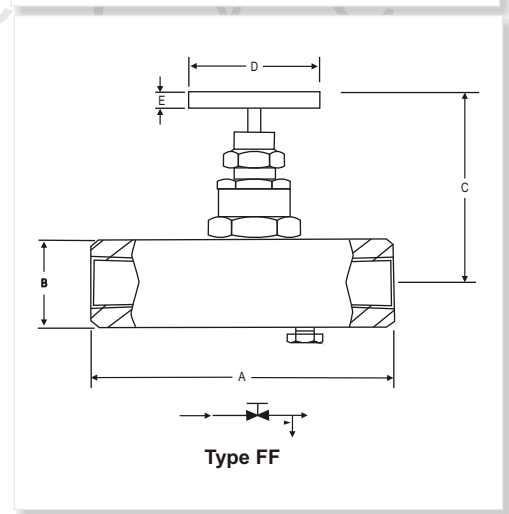
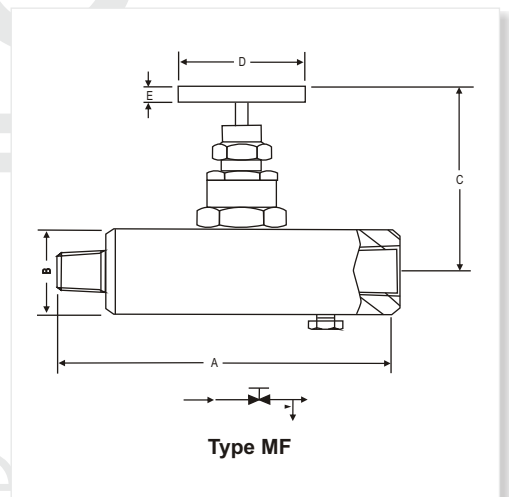
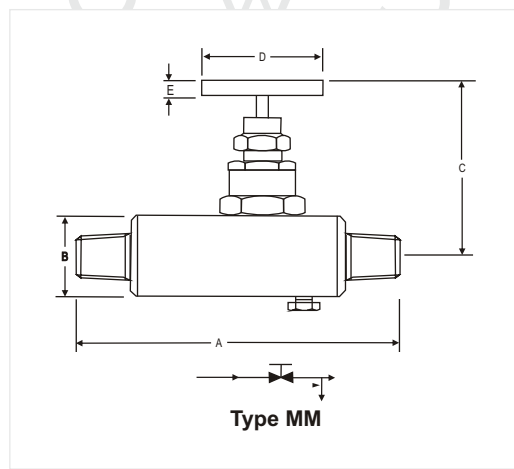


Size	Type	Length A	Width B	Height (open) Max., C	Handle D	Handle OD E
1/4"	FxF	70	25	63	40	10
	MxF	70	25	63	40	10
	MxM	75	25	63	40	10
3/8"	FxF	70	25	63	40	10
	MxF	70	25	63	40	10
	MxM	75	25	63	40	10
1/2"	FxF	75	32	83.6	50	12
	MxF	83	32	83.6	50	12
	MxM	88	32	83.6	50	12
3/4"	FxF	75	38	86.6	50	12
	MxF	83	38	86.6	50	12
	MxM	88	38	83.6	50	12

All dimensions are in mm.

Applications

- Installation of instrument and gauge.
- isolation of Instrument.
- Venting of Instrument.



Optional : KGV 10 - High pressure valves for 10,000 psi pressure
 KGV 20 - High pressure valves for 20,000 psi pressure

Note : Other combination sizes available on request. Please contact us for more details.



MODEL CODE : KGV8

HOW TO ORDER

BASIC MODEL : KGV8, KGV10, KGV20

Body Material	Stem Packing	Size	Connections (inlet x outlet)	Threads
C = Carbon Steel	P = PTFE	24 = 1/4" x 1/4"	FF = Female x Female	N = NPT (ANSI B 1.20.1)
S = SS 316	G = Grafoil	33 = 3/8" x 3/8"	MF = Male x Female	P = BSPP (BS 2779, ISO 228/1)
S4 = SS 304		44 = 1/2" x 1/2"	MM = Male x Male	B = BSPT (BS 21, ISO 7/1)
SL = SS 316L		46 = 1/2" x 3/4"	SW = Socket Weld	
M4 = Monel 400		64 = 3/4" x 1/2"		
M5 = Monel 500		66 = 3/4" x 3/4"		
H = Hastelloy C				

OPTIONS

- IE : Handle circular.
- TF : Compliance to NACE standard MR-0175.
- SG : For Oxygen service, valves are supplied cleaned, degreased and suitably packed.
- GH : Material test certificate
- GO : Hydro test certificate
- D4 : 1/4" NPT (M) Drain Plug instead of M8 bleed
- BLD4 : Bleeder 1/4" NPT (Male)
- PV : IBR Approval

Ordering Example:

To place an order simply refer to the codes in the table.

Valve Type : Body Material + Stem Packing + Size + Connections + Threads + Options

KGV8 + S + P + 44 + MF + N + GH = KGV8-S-P-44-MF-N-GH

Note -

The weld prepared types are available with a male-or-female plain end - suitable for socket weld, or male butt weld end. Always specify pipe schedule and further requirements when ordering valves for welded or Flange connections. Panel mounting option for installation in racks and panels.

Standard Valve Materials

Valve	Body	Bonnet	Stem	Tip
Carbon Steel	CS A105	CS A105	SS 304	SS 304
Stainless Steel	SS 316	SS 316	SS 316	SS 316

